

## Assembly instructions 03/2021

### TOOLS:

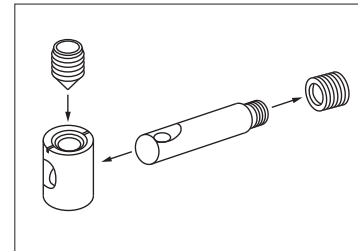
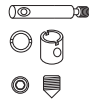
allen key (enclosed)

16x XS steel bolts

16x connector housings

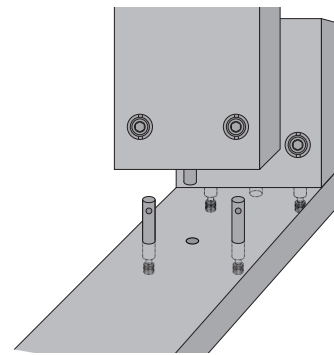
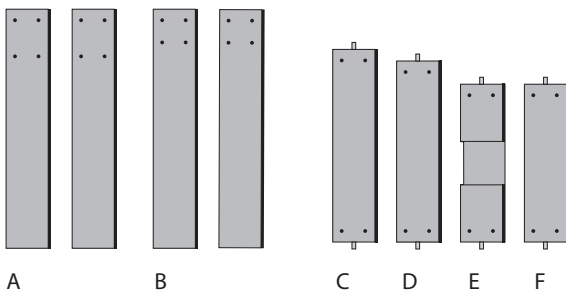
16x grub screws

10x flat-head screws (M6 x 35)



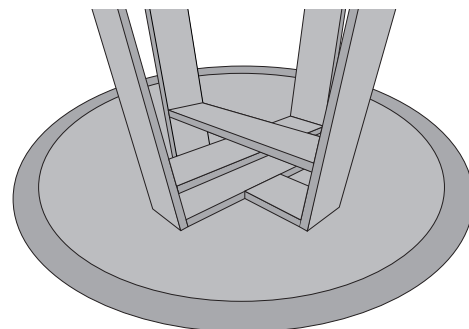
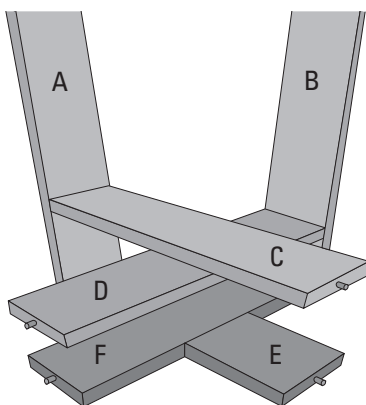
Video:  
<http://www.scheulenburg-direkt.de/index.php?page=content&colID=11>

Please assemble the table **on a soft surface (e.g. a carpet or blanket)** to avoid damages.



**1.** Screw the XS bolts into boards A and B. Insert connector housings into all the other boards. When aligning the housings, ensure that the slots point towards the intersecting hole.

**2.** Secure the connectors using grub screws. If you cannot tighten the connection, loosen the grub screw and unscrew the bolt by one or two turns. Then connect again.



**3.** Assemble the table frame as follows:

- Attach board E to board A and fix it.
- Attach board C to A and fix it.
- Attach board F to B and fix it.
- Attach board D to B and fix it.
- Join the two mounted parts.
- Attach and fix remaining parts A and B.

**4.** Place the table upside down on a blanket. Position the frame on the table top and secure it with enclosed pan-head screws.