

Assembly instructions 03/2021

TOOLS:

allen key SW5 (enclosed)

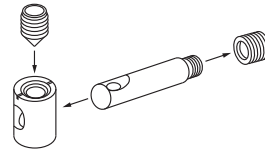
8 x XS steel bolts

8 x connector housings

8 x grub screws

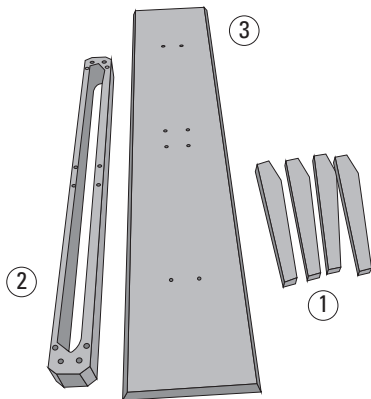
8 x cylinder head screws (M6x70)

with flat washers

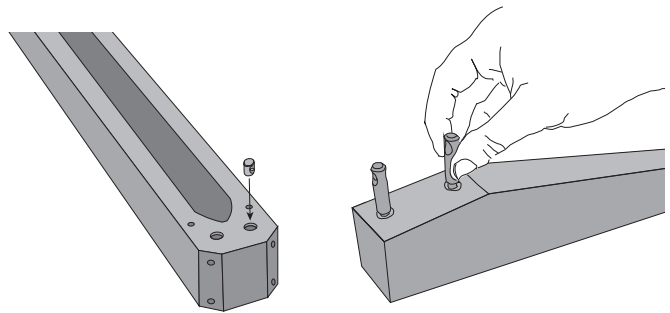


Video:
<https://www.youtube.com/watch?v=ioIUTDqtvgE>

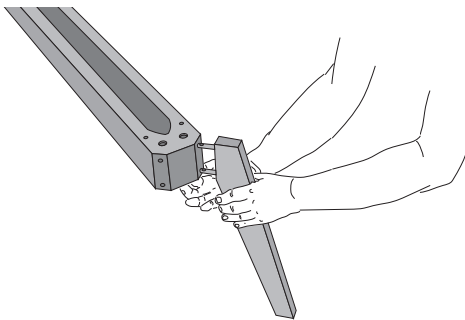
Please assemble the bench **on a soft surface (e.g. a carpet or blanket)** to avoid damages.



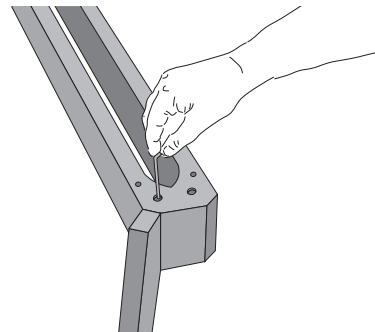
- 1 legs
- 2 frame (glued together)
- 3 bench seat



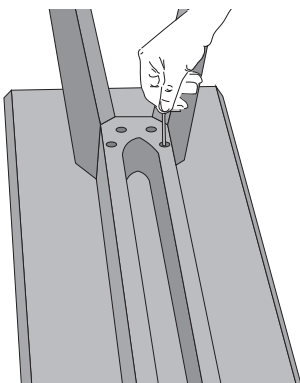
1. Insert connector housings into the holes in the frame (2). Screw XS steel bolts into the legs (1). Ensure that bolts and housings are aligned correctly.



2. Attach a leg (1) to the frame (2).



3. Tighten the connectors using the allen key. Attach the other legs (1) to the frame (2).



4. Place the frame (2) on the bench seat (3). Use cylinder head screws to attach the frame.

