

RAIL SOLO

ZEITRAUM

Assembly instruction 05/2021

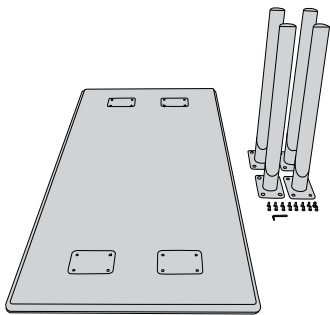
TOOLS:

Allen key SW 4 (enclosed)

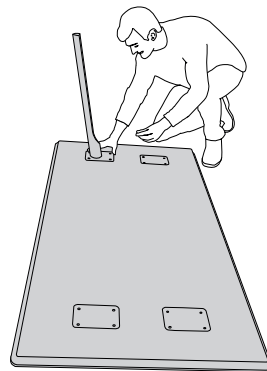
Countersunk bolts (M8x20)



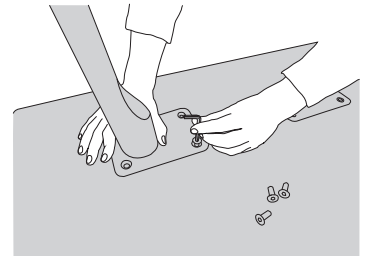
Please fix up the table on a soft surface to avoid damages!



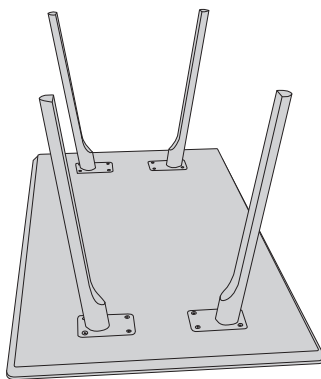
1.
Lay the table with its top upside down
on a carpet or blanket.



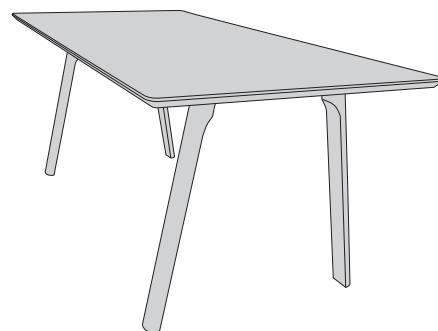
2.
Put a base in the provided spot.



3.
Stick the four screws in its holes and
tighten them up with the allen key.



4.
Go on with the remaining bases and
complete the assembly.



5.
Turn over the table on its bases.