

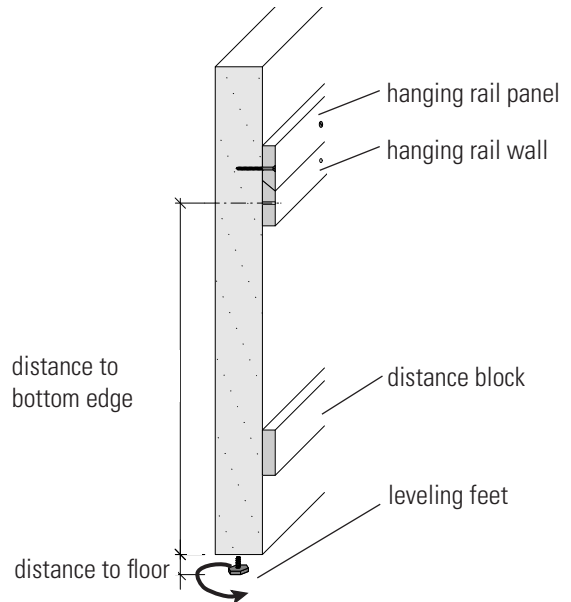
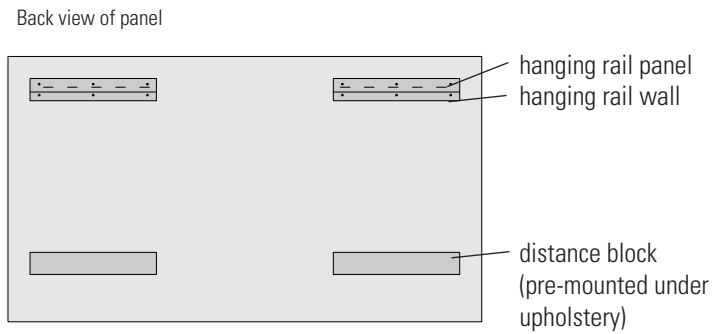
# BUTTON/COMFORT Panel ZEITRAUM

## Mounting instructions 01/2022

### YOU NEED:

drill and drill bit (for brick), open-end wrench, wall anchors and screws (depending on material of wall)

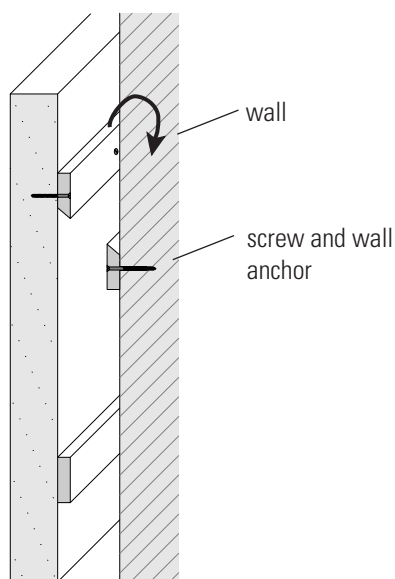
Sectional drawing



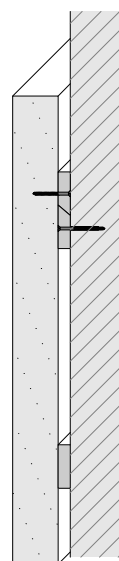
1. Positioning of the panel: Put the hanging rails, that have to be mounted to the wall, under the hanging rails, that are attached to the back of the panel. Measure the distance between the drillings of the hanging rail for the wall and the bottom edge of the panel. If required add the distance the panel should have to the floor.

Use an open-end wrench to adjust or remove the leveling feet.

Sectional drawing



Sectional drawing



2. Depending on the kind of wall use the right wall anchors and screws. Wall-mount the hanging rails at the same height.

3. Hang the panel onto the hanging rails.