

## Assembly instructions 01/2022

### TOOLS:

Allen screw SW 4, SW 5 (enclosed)  
screwdriver size 2

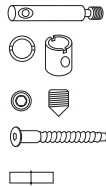
16 x XS dowels

16 x connector housings

16 x grub screws

24 x Confirmat screws

16 x shelf supports



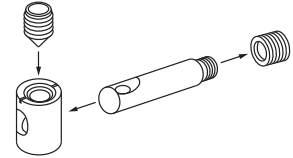
4 x center feet (13/17 cm), adjustable

2 x countersunk screws (M8x50)

1 x distance block

1 x screw (5x60)

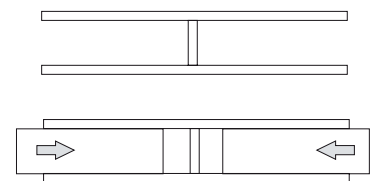
1 x screw (5x80)



Video:  
<http://www.scheulenburg-direkt.de/index.php?page=content&colD=11>

Prior to assembly insert the connector housings into headboards, crossbar and footboard with the slot in the direction of the XS dowels. Insert and turn XS dowels accordingly into side rails. Join the two headboard elements parallel to one another with the center rail and slide the two base panels into the element.

headboards:

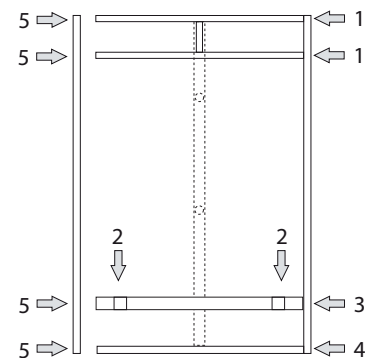


## ASSEMBLY OF THE BEDFRAME

The assembly will be easier if the bed is assembled lying on its side.  
(When turning take care of the base panels!)

1. Connect and fix the headboard part onto one of the side rails.
2. Mount the feet to the crossbar.
3. Slot and fix crosspiece onto side rail.
4. Connect and fix footboard to the side rail.
5. Fit the second side rail to crossbar, head and footboard.

To fix the connectors please use the grub screws. If you cannot screw in the grub screw flushly unscrew the XS dowels slightly. Then connect again. Fix right angles of the completely assembled bed and make sure to tighten all connections once more.



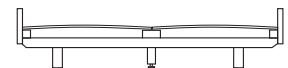
## SUPPORTS FOR SLATTED BASE

Please note that the support bars can be fixed at three different heights. Use the Confirmat screws to fix the support bars to the side rails. We recommend that the mattress protrudes from the bed frame by 2 inches. For mattresses wider than 120 cm the middle support must be used. If necessary use the distance block and the screws for the right height. For position 2 place the distance block horizontally, for position 3 rotate the distance block upright. Afterwards mount the height-adjustable center support feet.

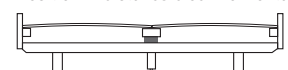
## LOOSE SHELVES AND CUSHIONS

Fit the shelf supports into the holes provided and place the coloured shelves in position. Slot the cushions in from above.

Position 1: without distance block



Position 2: distance block horizontal



Position 3: distance block vertical

