

Assembly instruction 05/2022

TOOLS:

Allen key (enclosed) / Cordless screwdriver

3x countersunk bolts (M10x25)



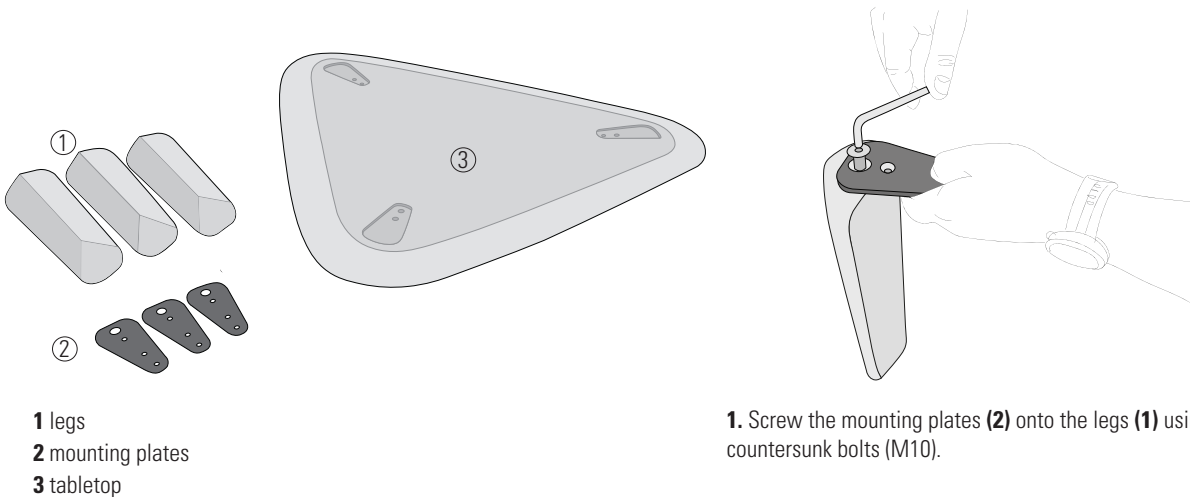
6x countersunk bolts (M6x16)



3x Spax screws (4,5x16)

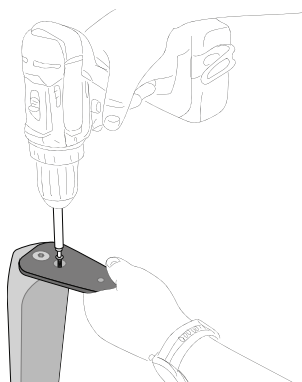


Assemble table on a **soft surface (e.g. blanket)** to avoid damage.

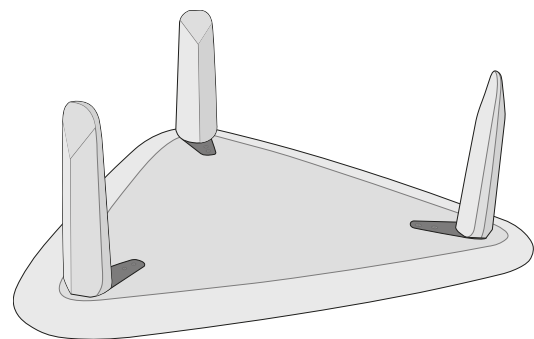


- 1 legs
- 2 mounting plates
- 3 tabletop

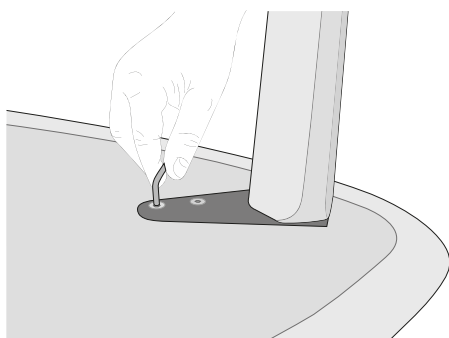
1. Screw the mounting plates (2) onto the legs (1) using countersunk bolts (M10).



2. Secure the mounting plates by screwing the Spax screw into the holes provided.



3. Place the legs in the milled pocktes on the underside of the tabletop (3).



4. Fix the legs with screws.

